

Common Installation Issues



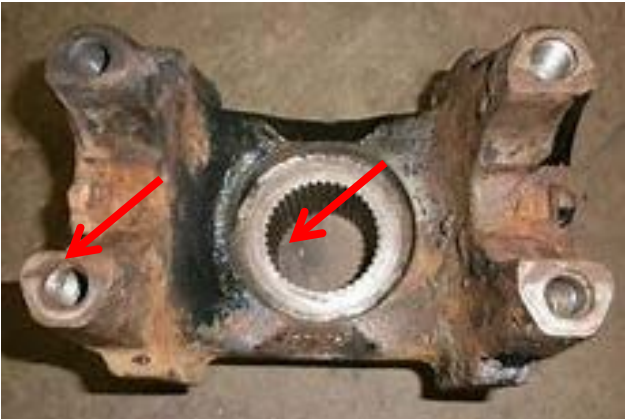
Table of Contents *Click on the title or page # to be taken to that section

Vibration & Leaks	1
Noise & Heat	2
Output Shaft Endplay & Leaks	3
Lubrication	4
Driveline & Suspension	5

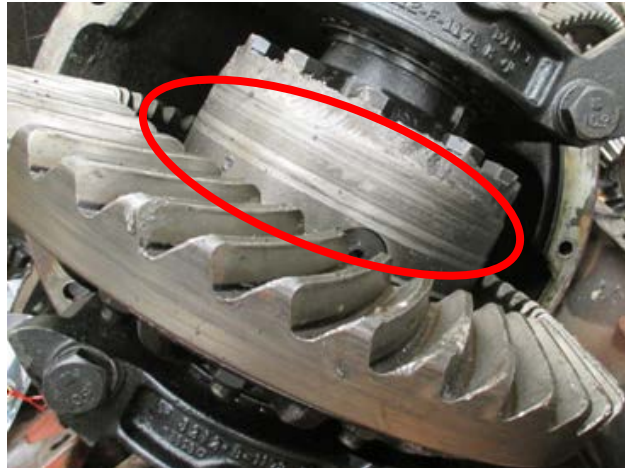
Vibration & Leaks

Symptom	Cause	Preventative Action
<ul style="list-style-type: none"> 1. Failed input bearing 2. Vibration & leaking 	<p>End yoke not torqued to correct specification</p> <p>Not using correct torque tool</p>	<p>Inspect yoke splines for wear (10% allowable) - replace if necessary</p> <p>Torque to OE specification using proper tool</p>

Worn End Yoke
Worn splines & U-Joint Cap



Rub marks
Result of pinion not torqued properly



1" Air Impact
Up to 1000 ft. lb.



Noise & Heat

Symptom	Cause	Preventative Action
1. Noisy 2. Heat 3. Metal in the oil	Contamination caused by lack of proper cleaning of axle housing including removal of wheel ends	Before install, clean axle housing thoroughly Replace wheel seals

Wire brush & solvents to clean internally (dirt/metal debris)



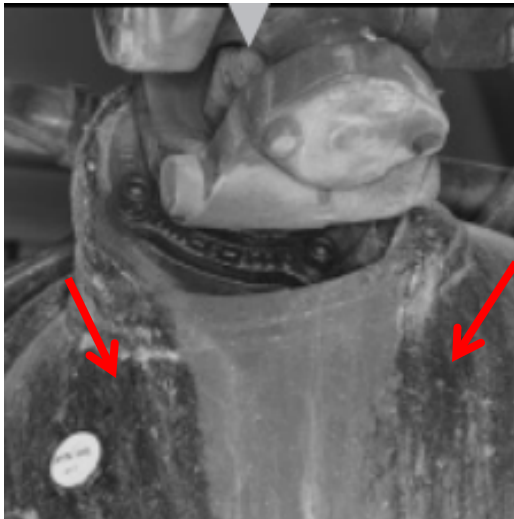
Properly cleaned axle housing



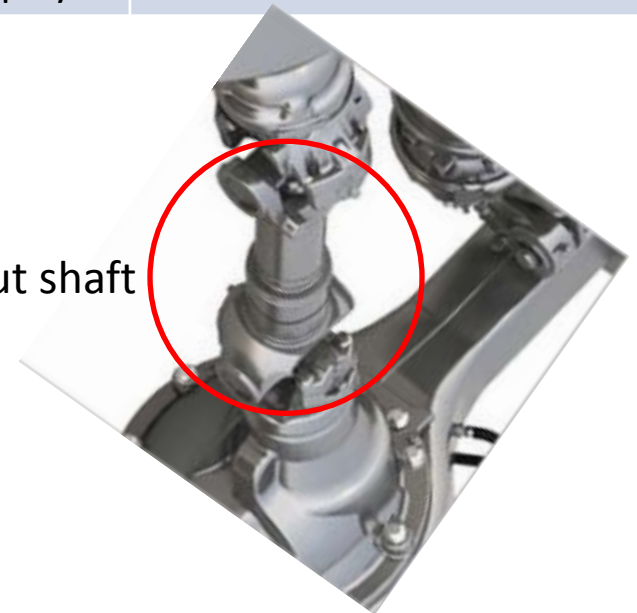
Output Shaft Endplay & Leaks

Symptom	Cause	Preventative Action
<ol style="list-style-type: none"> Excessive output shaft end play Output shaft leaks Noise 	<p>Incomplete process of replacing the differential due to not:</p> <ul style="list-style-type: none"> Replacing output seal Inspecting & replacing bearings setting proper bearing end play 	<p>Perform all steps in the recommended process</p>

Leaking output shaft

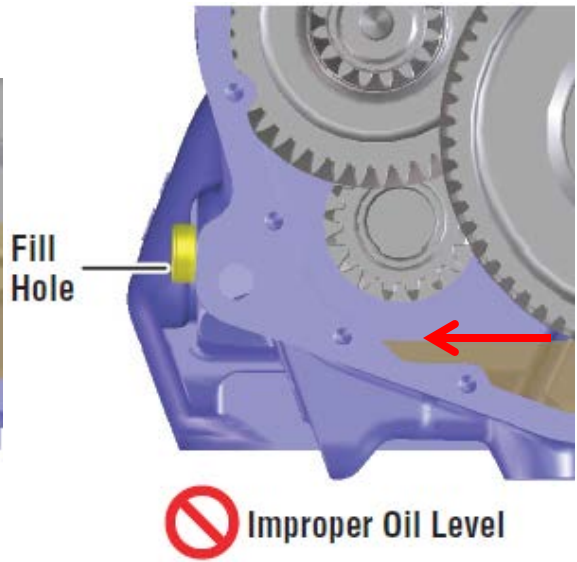
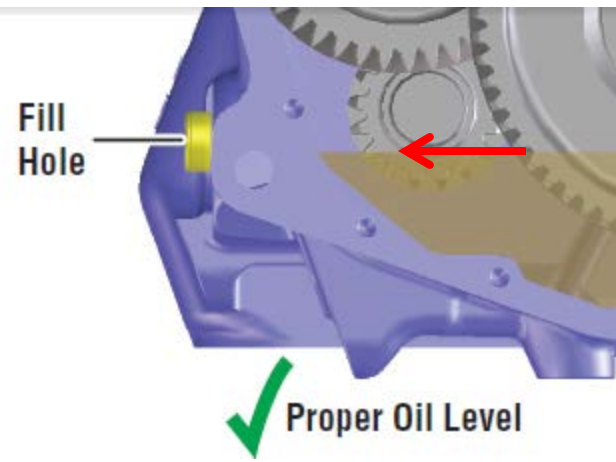


Clean/no leak output shaft



Lubrication

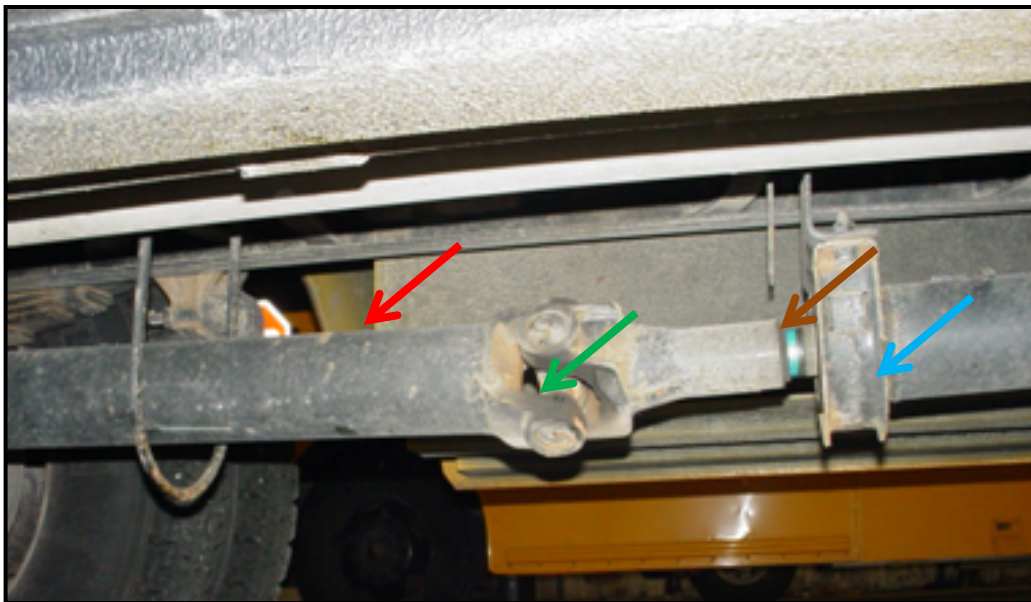
Symptom	Cause	Preventative Action
1. Noise 2. Excessive heat	Failure to use approved lubricants Failure to top off lubricants Failure to road test and recheck Mixed fluids in system	Follow recommended practices Know approved lubricants for all Drive Train components







Manufacture	Unit Type	Oil Type
Eaton / Fuller	Manual /AMT Transmissions	PS-386 Synthetic
Allison	Allison Transmissions	TES-295 Synthetic
Dana	Differentials	GL-5 Spec 75w -90, 80w-140
Meritor	Differentials	GL-5 Spec 75w -90, 80w-140
Mack	Differentials	GO-J Spec. 80w-90, 85w-140 GO-J + Synthetic 75w 90

Driveline & Suspension

Symptom	Cause	Preventative Action
<ol style="list-style-type: none"> 1. Vibration 2. Noise 3. Grinding 4. Component failure 	Failure to inspect driveline and suspension components for systems deficiencies	<p>Perform inspection prior to putting the vehicle in service</p> <p>Practice standard maintenance intervals</p>



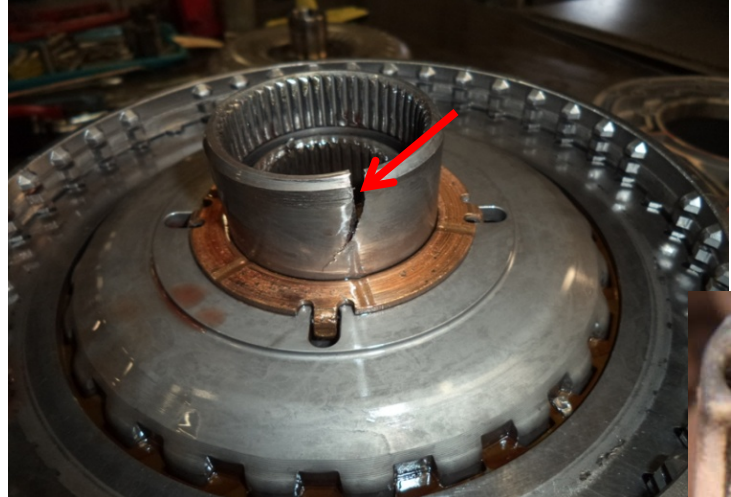
-  Improper driveline angle
-  Worn u-joint
-  Worn slip yoke
-  Worn carrier bearing

continued...

Driveline & Suspension continued

Component failures due to vibration - vibration caused by faulty driveline/suspension

Crack in clutch support hub



Worn splines



Loose fasteners

